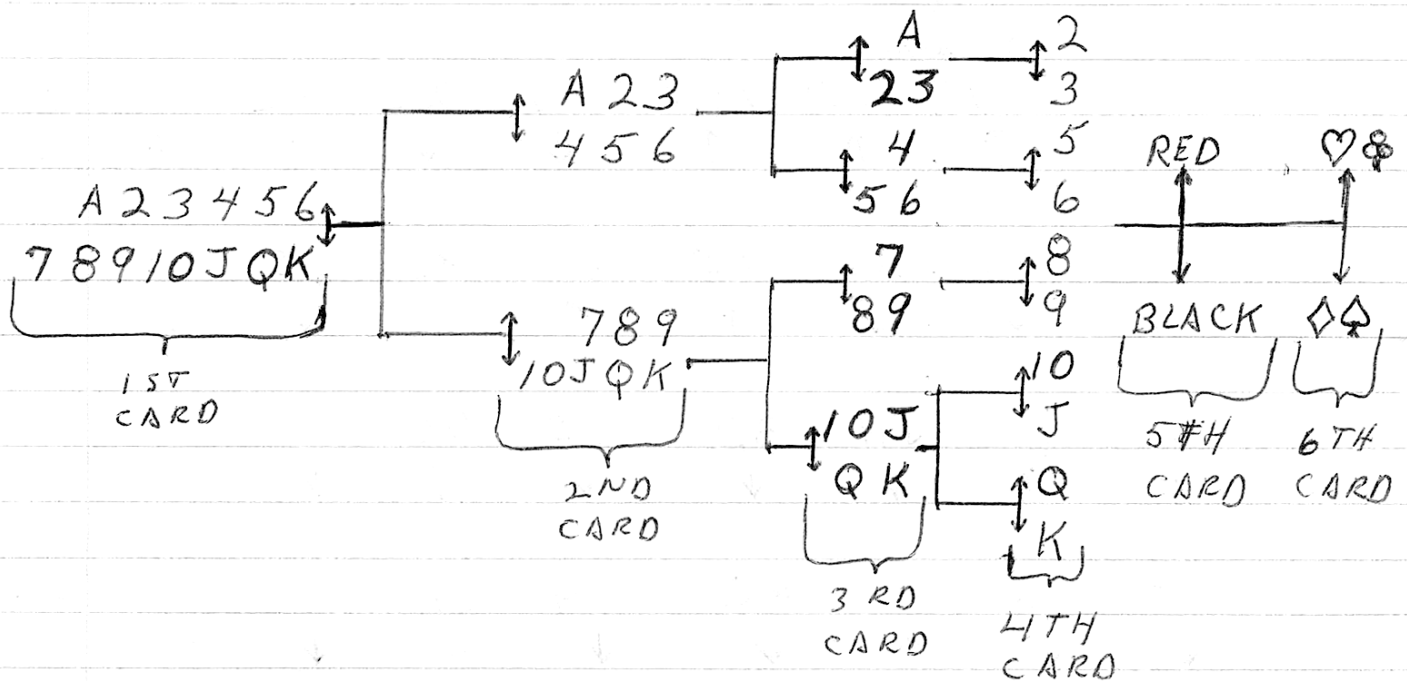


SKIP OVER IT. - 5TH CARD RED OR BLACK & 6TH CARD HEART, CLUB OR DIAMOND, SPADE. -

MANY EFFECTS POSSABLE AFTER MASTERING THIS THING. -

37 CARDS WAS AS FAR AS I COULD WORK OUT.



1/14/70 PRODUCING COINS WHILE SHUFFLING B.C.

SIMILAR TO "UNLIMITED COINAGE"

PALM IN RT. HAND, A HALF DOLLAR.
 DECK LENGTHWISE IN FRONT OF YOU
 IN POSITION FOR TABLE RIFFLE. RT.
 THUMB RIFFLES UPWARD ON REAR
 RT. CORNER TO SPLIT DECK IN HALF.
 AS THIS IS DONE HALF ALMOST
 AUTOMATICLY DROPS FROM PALM